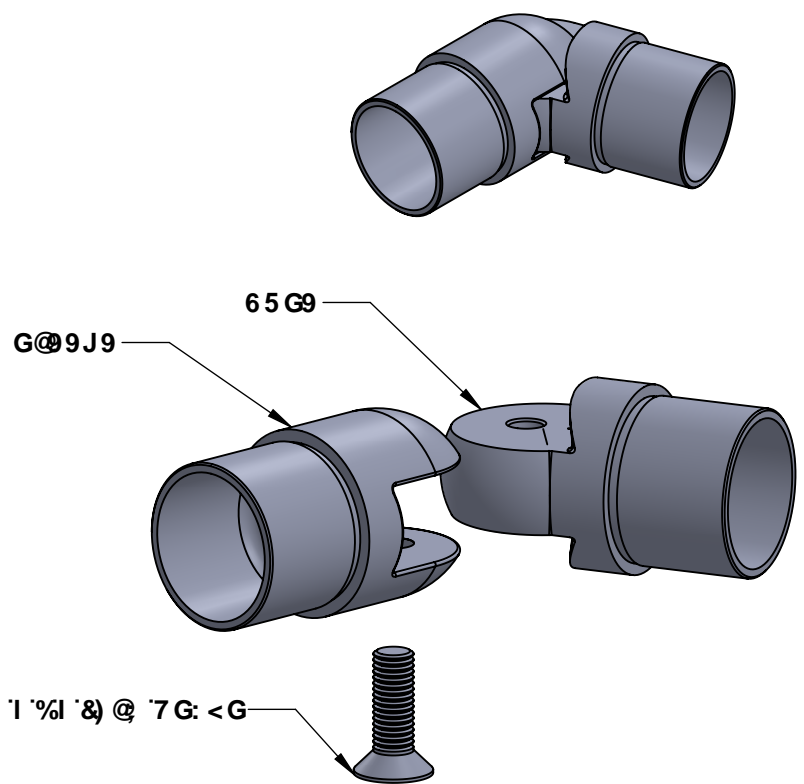
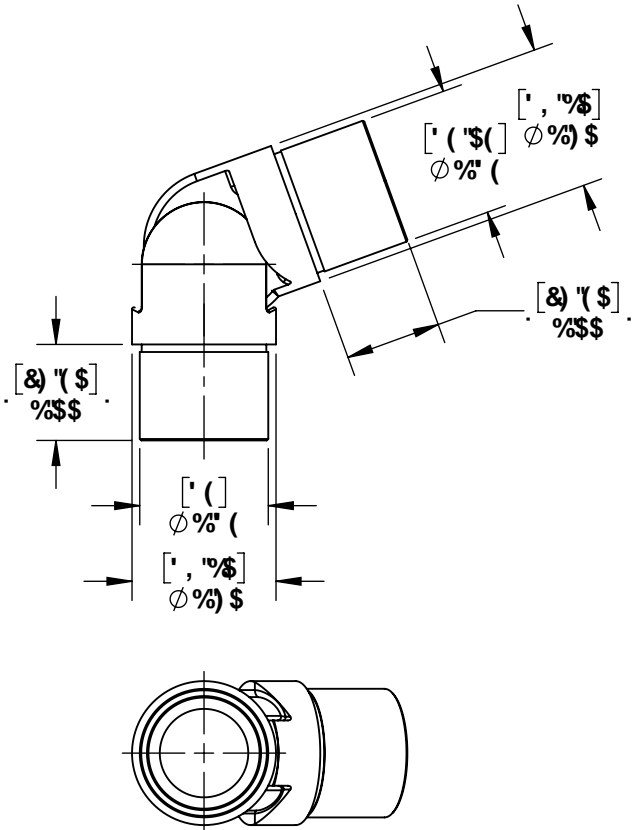


&

%

D5FHBI A 69F	89G7F-DHCB	EHM'
ÓÉÜÒ	ÓÉÜÒÉÁÚVÓP SÓUÙUVOÓŠÁÁ ÓÉRMÚVÓÓŠÓÁÓŠÓUY	F
ÙŠÓÒXÒ	ÙŠÓÒXÒÉÁÚVÓP SÓUÙUVOÓŠÁÁ ÓÉRMÚVÓÓŠÓÁÓŠÓUY	F
TÌ Á Á Á ŠÓÁÓUØPÙ	TÌ Á Á Á ŠÓÁÓUØPÙVÓUØP ŠÁÓŠÉVÁ PÓÓÁÚÓUÓY	F



**SC&R**  
Stainless Cable  
& Railing

DFC DF-95 FM5B8 7CB: -89BH5@

H: 9 B: CFA 5HC B 7CBH5 B98 B H: 68F5K B: 6H: 9  
GC @DFC D9FMC: G5 B @GG 75 @ 5B8 F5 @B: =  
5BMF 9DFC 81 7HC B B D5FHC F 5G5 K < C @K H: C 1 H  
H: 9K F H8B D9F A 6GC B C: G5 B @GG 75 @ 5B8  
F5 @B: = 6DFC < 6H8

BC H9G	I B @GGC H: 9FK 69 GD97 ÷ 98	B5A 9	85H9	HH@.	<b>G5-B @GG GH99@</b> <b>FCI B8 %)</b> "" <b>58&gt; G56 @9 @6C K</b>									
% 8 A 9BGC BG5F9 B : B7 < 9G A A Q &" A 57 < B98 G F: 57 9GHC '69** i B' A 5L" * "D5FHIC '69: F99C: '6l FFG5B8' G: 5FD'98: 9G' (* 5 @A 5H9F -5 @HC '697 @95BZ 89: F95G98 5B8: F99 C: 5 @A DI F #9G' ) "5BM7 < 5B: 9A I GH695I H: C F #98' 6M5B G7 / F 9B: B 99F"	8 A 9BGC BG5F9 B : B7 < 9G : F57HC B5 @ ..... ± 5B: I @F: A 57 < ..... ± HK C D @ 57 9897 A 5 @ ..... ± H: F99D @ 57 9897 A 5 @ ..... ±	8F5K B	G7 F	% \$ # % # %										
A 5H9F -5 @	A 5H9F -5 @	9B: '5DDF"			<table border="1"> <tr> <td>G@9</td> <td>8K: ""BC"</td> <td>F9J</td> </tr> <tr> <td><b>5</b></td> <td><b>+ ' &amp; * ( *</b></td> <td><b>\$ %</b></td> </tr> <tr> <td>G7 5 @. % &amp;</td> <td>K 9 ÷ &lt; H'</td> <td>G &lt; 99H % C: %</td> </tr> </table>	G@9	8K: ""BC"	F9J	<b>5</b>	<b>+ ' &amp; * ( *</b>	<b>\$ %</b>	G7 5 @. % &	K 9 ÷ < H'	G < 99H % C: %
G@9	8K: ""BC"	F9J												
<b>5</b>	<b>+ ' &amp; * ( *</b>	<b>\$ %</b>												
G7 5 @. % &	K 9 ÷ < H'	G < 99H % C: %												
: B G<	: B G<	A:: '5DDF"												
8C B CHG7 5 @ 8F5K B:	7 C A A 9BHG													

&

%