

Phone/Fax: 888-686-7245 (RAIL)

Email: sales@stainlesscablerailing.com

Website: www.stainlesscablerailing.com

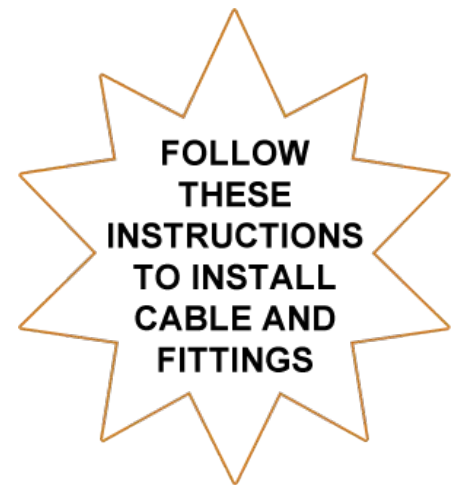
Address: 4055 S Grant St.
Washougal, WA 98671

QUICKLOCK[®] ASSEMBLY TYPE #2 INSTRUCTIONS

Choose **STAINLESS CABLE & RAILING™** for all your fittings and cablerail assemblies!

Table of Contents:

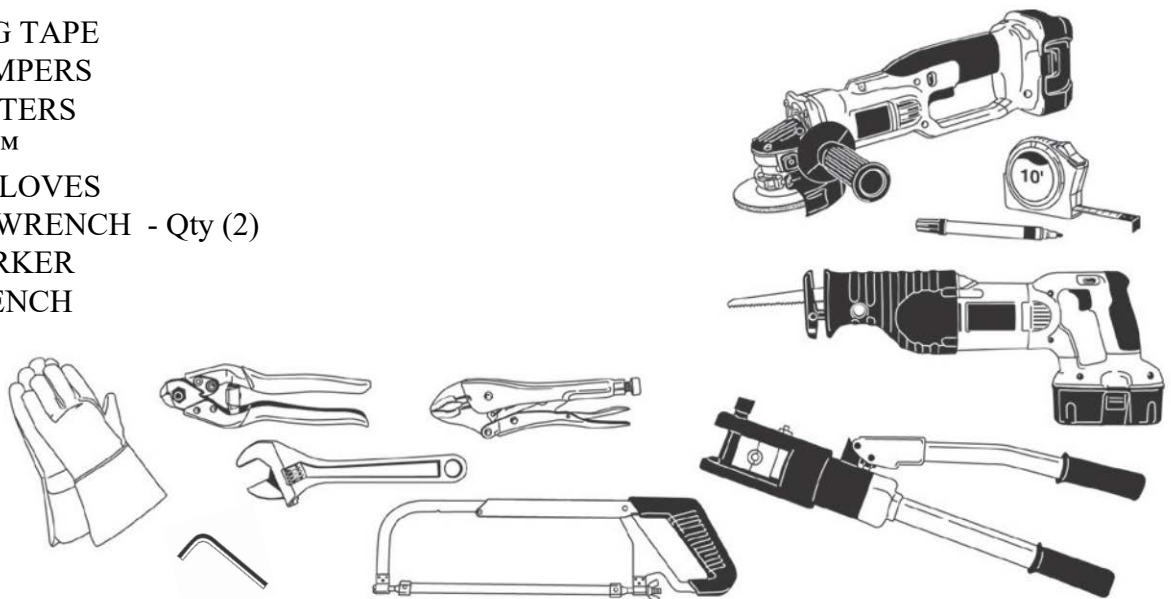
1. NECESSARY TOOLS
2. LAYOUT
3. HOLE DRILLING
4. MEASURE/CUT CABLE ASSEMBLY
5. ATTACH FITTINGS ON CUT END OF CABLE
6. TENSION THE CABLES



Just follow these simple steps:

1. NECESSARY TOOLS

1. MEASURING TAPE
2. CABLE CRIMPERS
3. CABLE CUTTERS
4. VICE-GRIP™
5. LEATHER GLOVES
6. CRESCENT WRENCH - Qty (2)
7. BLACK MARKER
8. ALLEN WRENCH



4. MEASURE/CUT CABLE ASSEMBLY

This system will have a QUICK RECEIVER STUD fitting pre-swaged on one end of the cable and NO fitting attached to the other end of the cable when you receive your order. The following instructions will assist you in attaching the Swageless Receiver to the cable end with no fitting.

4:1) Choose one of your terminal posts (where the cable starts or stops) as the start of your run. Apply a small amount of lubricant to the threads on the QUICK RECEIVER STUD. Feed the QUICK RECEIVER STUD into the Terminal Post. It should only go halfway through the post. Place the RECEIVER BODY through the hole on the outer post face until it reaches the RECEIVER STUD. (Fig 3.1) Reference Fig 3.2 for this step on angled runs.

4:2) Screw RECEIVER BODY onto QUICK RECEIVER STUD. Turn 3-4 times so that QUICK RECEIVER STUD is secured within RECEIVER BODY. Do not tighten more than is necessary, as further tightening will be done later to tension the cables. Repeat for all holes of this post.

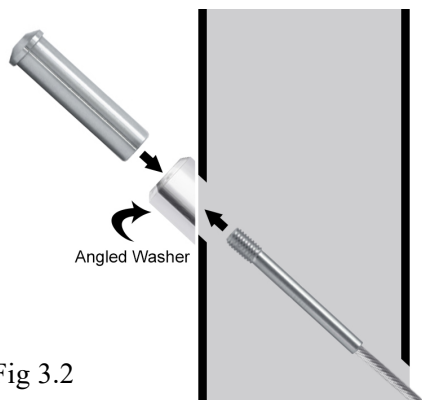


Fig 3.2

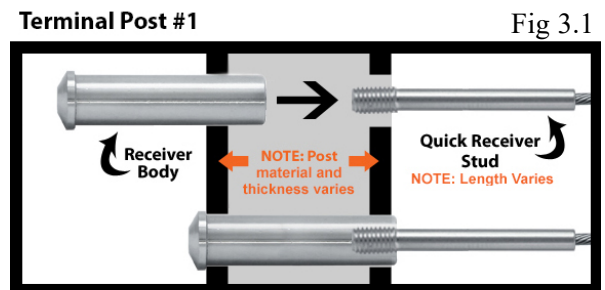


Fig 3.1

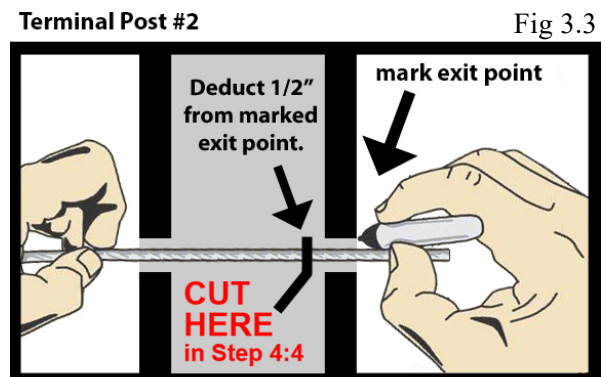


Fig 3.3

4:2) Push the raw cut end of the cables through all the drilled holes of the run and pull all the slack out of the cables. Mark the exit points, where the cable emerges from the outside face of the last terminal post (Fig 3.3). Unscrew the Quick Receiver Stud (Fig 4.1). Push cut end of the cable and place on deck surface (Fig 4.2). Do not unlace intermediate posts.

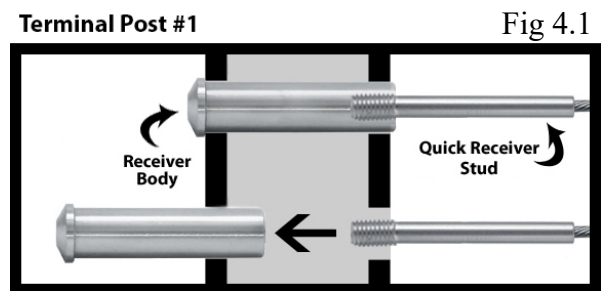


Fig 4.1

4:2) Deduct 1/2" from the exit point mark and cut the cable there.

NOTE: Recommended deductions can be adjusted +/- to achieve desired fitting positions. Verify fitting position prior to cutting the cable.

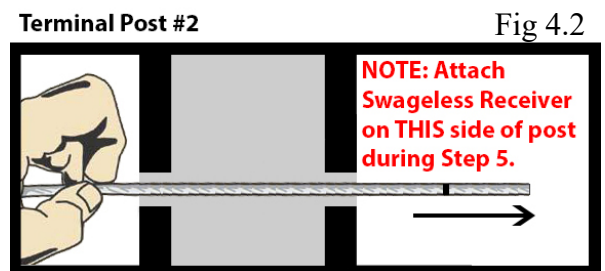


Fig 4.2

5. ATTACH FITTINGS ON CUT END OF CABLE

- 1) Disassemble SWAGELESS RECEIVER, careful not to lose internal parts, and install onto cable (Fig. 5).



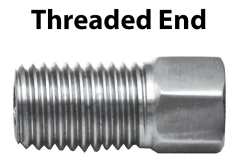
Receiver Body



Cable Grip



Hex Nut



Threaded End

Fig 5

- a. Place cable through beveled end of receiver, exiting out the threaded end.
- b. Place cable-grip onto cable by spreading prongs apart and pushing cable through until it exits the tied end 1/2" (Fig. 6)
- c. Slide receiver over cable-grip. (Fig. 6)
- d. Using 2 wrenches, one on receiver body and one on threaded end, tighten the fittings until they can no longer be tightened. (Fig. 6)

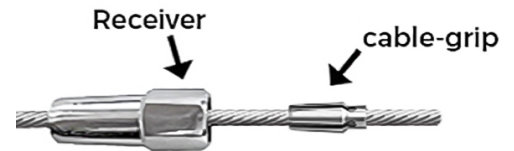


Fig 6

- 2) Re-assemble fitting and place through hole in Terminal post (Fig 7.1). See Fig 7.2 for stairs.

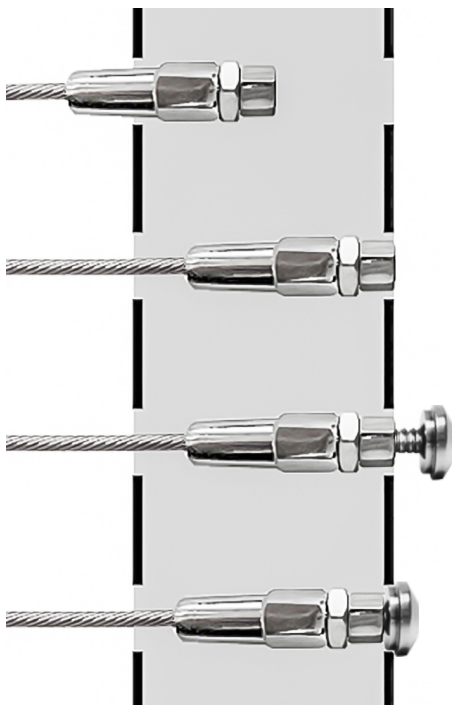


Fig 7.1

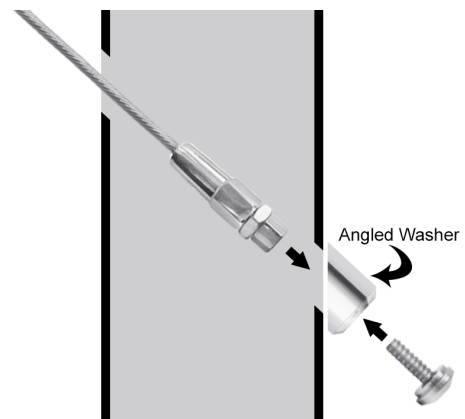


Fig 7.2

6. TENSION THE CABLES

Return to the **Starting Post** of your run to tension your cables.

Screw the Receiver Body back onto Quick Receiver Stud. Use a crescent wrench (or Vice Grips) with a piece of leather to protect the cable and to keep it from spinning. Grip the **QUICK RECEIVER STUD** and turn the **RECEIVER BODY** with 3/16" Hex Key (not included) until cable is taut. (Fig 8)

Start tightening the middle cable run first then tighten above and below this middle cable in an alternating sequence until all the wires have been tightened (Fig 9).

Most codes require that a 4" sphere must not be able to pass between the cables.

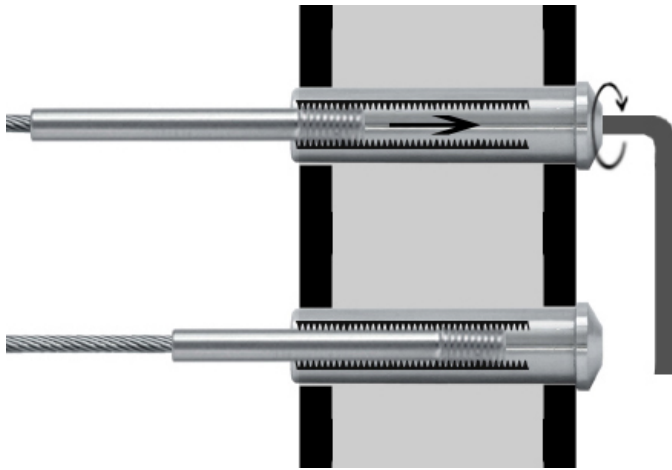
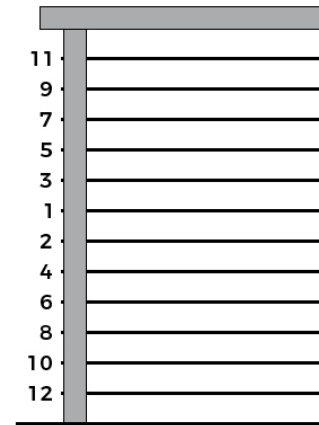


Fig 8



Recommended Tensioning Sequence

Fig 9

Spray and wipe down all cables and exposed end fittings with CitriSurf® Passivator to make sure all stainless steel is passivated and will properly resist corrosion. Then apply Rust Rescue to reinforce and prolong the passivation. Read the “Marine Grade Stainless Steel Maintenance and Cleaning Procedures” that follow for additional information and instructions.

2

1

ITEM NO.	PART NUMBER	QTY.
1	01-041-01	1
2	01-042-01	1
3	CABLE	1
4	INSIDE THREAD STUD SWAGELESS TERMINAL	1
5	01-041-01B	1



PROPRIETARY AND CONFIDENTIAL

THE INFORMATION CONTAINED IN THIS DRAWING IS THE SOLE PROPERTY OF STAINLESS CABLE AND RAILING®. ANY REPRODUCTION IN PART OR AS A WHOLE WITHOUT THE WRITTEN PERMISSION OF STAINLESS CABLE AND RAILING® IS PROHIBITED.

NOTES: UNLESS OTHERWISE SPECIFIED

1. DIMENSIONS SHOWN - INCHES [MM].
2. MACHINED SURFACES TO BE 63µIN MAX.
4. PART TO BE FREE OF BURRS AND SHARP EDGES.
5. ALL MATERIAL TO BE CLEAN, DEGREASED AND FREE OF ALL IMPURITIES.
6. ANY CHANGE MUST BE AUTHORIZED BY AN SC&R ENGINEER.

DIMENSIONS ARE IN INCHES
 FRACTIONAL ±
 ANGULAR: MACH ±
 TWO PLACE DECIMAL ±
 THREE PLACE DECIMAL ±

MATERIAL

FINISH

DO NOT SCALE DRAWING

	NAME	DATE
DRAWN		
ENG APPR.		
MFG APPR.		
COMMENTS:		

TITLE: SWAGELESS WITH CABLE QUICK® RECEIVER

SIZE	DWG. NO.	REV
A	SCQR-S	

SCALE: 2:1	WEIGHT:	SHEET 1 OF 1
------------	---------	--------------

2

1

B

B

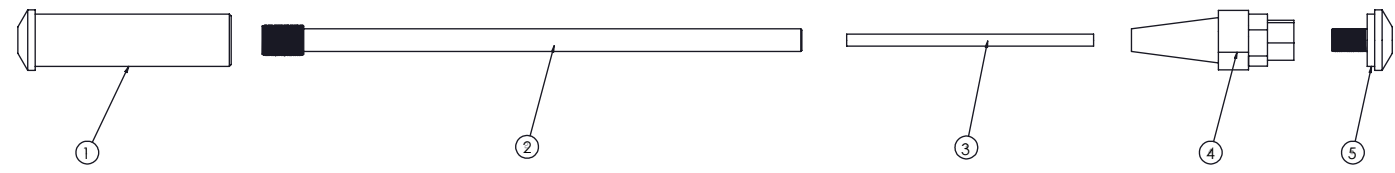
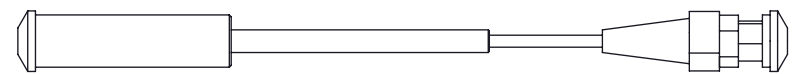
A

A

2

1

ITEM NO.	PART NUMBER	QTY.
1	01-041-01	1
2	01-043-01	1
3	CABLE	1
4	INSIDE THREAD STUD SWAGELESS TERMINAL	1
5	01-041-01B	1



PROPRIETARY AND CONFIDENTIAL

THE INFORMATION CONTAINED IN THIS DRAWING IS THE SOLE PROPERTY OF STAINLESS CABLE AND RAILING®. ANY REPRODUCTION IN PART OR AS A WHOLE WITHOUT THE WRITTEN PERMISSION OF STAINLESS CABLE AND RAILING® IS PROHIBITED.

NOTES: UNLESS OTHERWISE SPECIFIED

1. DIMENSIONS SHOWN - INCHES [MM].
2. MACHINED SURFACES TO BE 63µIN MAX.
4. PART TO BE FREE OF BURRS AND SHARP EDGES.
5. ALL MATERIAL TO BE CLEAN, DEGREASED AND FREE OF ALL IMPURITIES.
6. ANY CHANGE MUST BE AUTHORIZED BY AN SC&R ENGINEER.

DIMENSIONS ARE IN INCHES
 FRACTIONAL ±
 ANGULAR: MACH ±
 TWO PLACE DECIMAL ±
 THREE PLACE DECIMAL ±

MATERIAL
 FINISH

DO NOT SCALE DRAWING

	NAME	DATE
DRAWN		
ENG APPR.		
MFG APPR.		
COMMENTS:		

TITLE: **SWAGELESS WITH CABLE QUICK® RECEIVER**

SIZE	DWG. NO.	REV
A	SCQR-L	

SCALE: 2:1	WEIGHT:	SHEET 1 OF 1

2

1



Marine Grade Stainless Steel Maintenance and Cleaning Procedures

Stainless Cable & Railing Inc. offers Marine-Grade Stainless Steel railing frames and cable infill that boast high resilience with little maintenance. The material is in and of itself corrosion resistant thanks to a thin “passive layer” of alloying elements that forms on the surface of stainless steel. While this protective layer is strong enough to withstand typical wear and tear, it's not impervious.

We want our customers to get the most out of their cable railing and encourage periodic maintenance to keep cable infill clean, beautiful, and strong for years to come. This is especially important for exterior applications, particularly those in harsh outdoor environments exposed to salt water, industrial pollutants, de-icing salt spray, atmospheric dirt, traffic film, etc.

Perform the following procedures to keep your railing clean and preserve your warranty. You can purchase the necessary supplies through our store individually or together in a kit. Make sure to read the “WARNINGS & TIPS” on the second page.

Initial / Periodic Cleaning:

Follow this procedure immediately after installing your railing.

1. Spray CitriSurf® onto your frames and/or cables and wipe down using a clean, soft cloth.
2. Once all stainless surfaces have been cleaned and passivated using the CitriSurf® prepare Rust Rescue 200 by shaking or stirring the mixture.
3. Using a clean, soft cloth, sprayer, brush, or roller, apply Rust Rescue to your stainless steel frame and/or cables. Wear gloves while handling Rust Rescue (during steps 3-4), as it can cause skin irritation for some people.
4. Wait 2-3 minutes, then wipe off excess.
5. Allow the remaining solution to dry completely. A hot air oven, hair dryer, or other drying medium may be used to accelerate this process.

Repeat this procedure on a regular basis as needed to keep your stainless steel bright and shiny. For coastal applications, we recommend this be done every 2-3 months or so, depending on necessity.

General Cleaning:

Remove finger prints and other marks generated from daily use as needed. Apply mild soap and water or glass cleaner to area using a clean cotton cloth or chamois. Rinse clean with water and dry completely.

Oil, Grease, and Residue Cleaning:

Remove oil, grease, or residue left from other cleaning materials (such as floor cleaner or polishing detergents) as soon as possible. Apply alcohol-based products (including methylated spirit and isopropyl alcohol) or other solvents (such as acetone) several times using a clean, non-scratching cotton cloth until all traces have been removed. Use Aluminum Oxide Scotch Brite if necessary. Rinse clean with water and dry completely.

Paint and Graffiti Cleaning:

Remove as needed using proprietary alkaline or solvent-based paint strippers. Apply chosen cleaning solvent several times with a clean, non-scratching cotton cloth until all traces of paint have been removed. Use Scotch Brite if necessary. Rinse clean with water and dry completely.

Salt Film and Environmental Deposit Cleaning:

Perform cleaning regularly in consideration of environmental conditions and the rate of deposit build up. Use a clean cotton cloth with CitriSurf® solution (available in our store) to remove contamination. Apply cleaner evenly across cables to avoid a patchy appearance. Rinse clean with water and dry completely. Follow up with the Rust Rescue application procedure detailed in "Initial / Periodic Cleaning" on the previous page. Use Aluminum Oxide Scotch Brite if necessary.

WARNINGS & TIPS

- Avoid use of the following products, as they will harm your cables:
 - Chloride-containing cleansers
 - Hypochlorite bleaches. Should accidental contact occur, rinse off immediately with copious amounts of fresh water.
 - Muriatic acid (commonly used to clean up tile/concrete installations)
 - Silver-cleaners
 - Scouring powders
 - Hard scrapers or knives
 - Non-stainless steel-based scouring pads, cleaning wool, or wire brushes
 - Any cleaning utensils that have been used on “ordinary” (carbon) steel, as this may result in iron particle “cross-contamination”

- Do not leave stainless cables or fittings in contact with steel, iron, or any other metals, as this will cause rusting due to free-iron transfer. If your frame is made of a material other than stainless steel, use protective grommets or sleeves (which can be found in our store) to keep the metals from coming into contact.

Please follow these procedures to get the most out of your stainless steel frames and cable infill by Stainless Cable & Railing Inc.

If you have any questions, call us any time at 1-888-686-7245.

CitriSurf is a registered trademark of Stellar Solutions, Inc., McHenry, IL US