

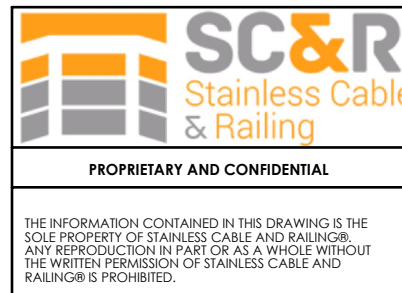
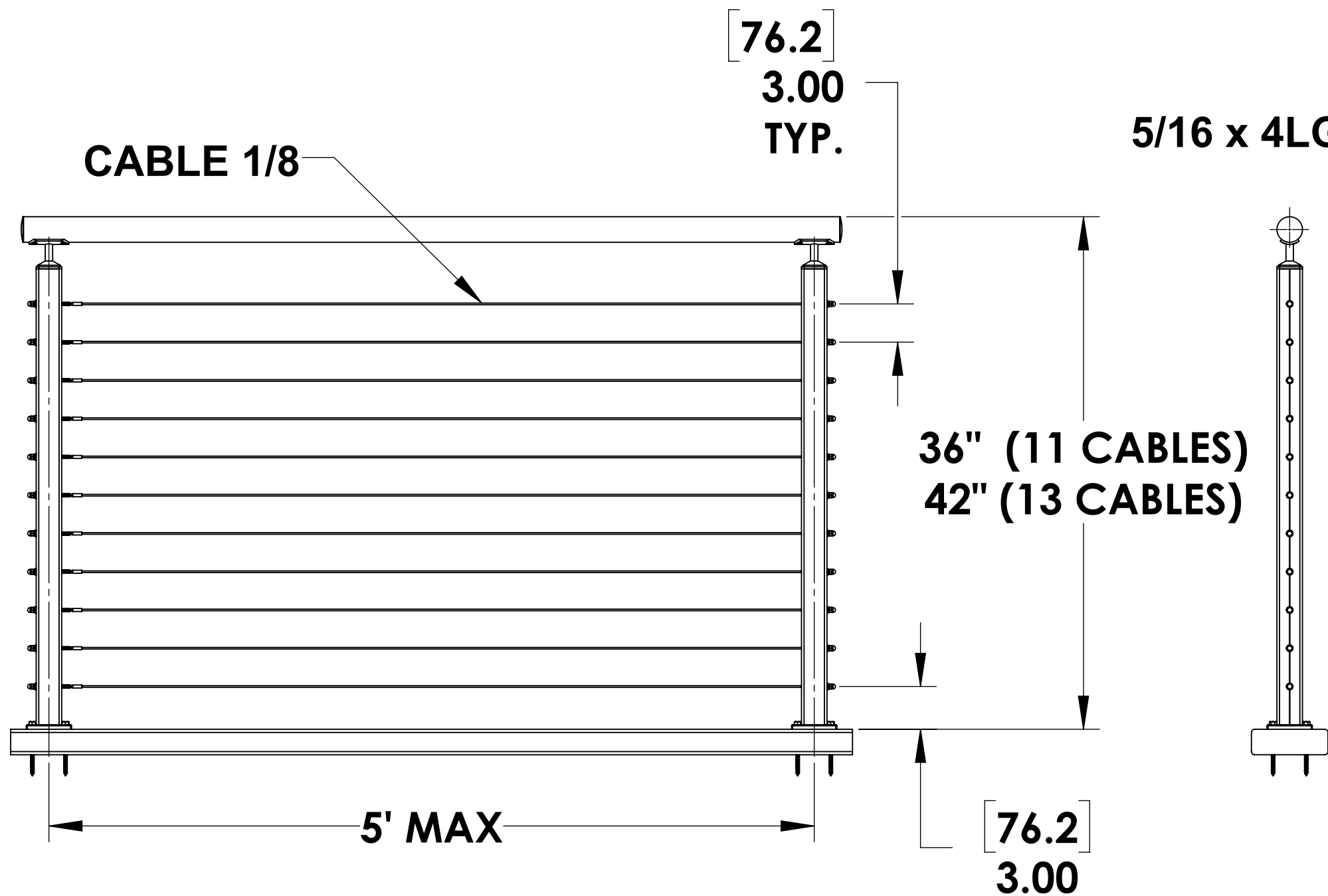
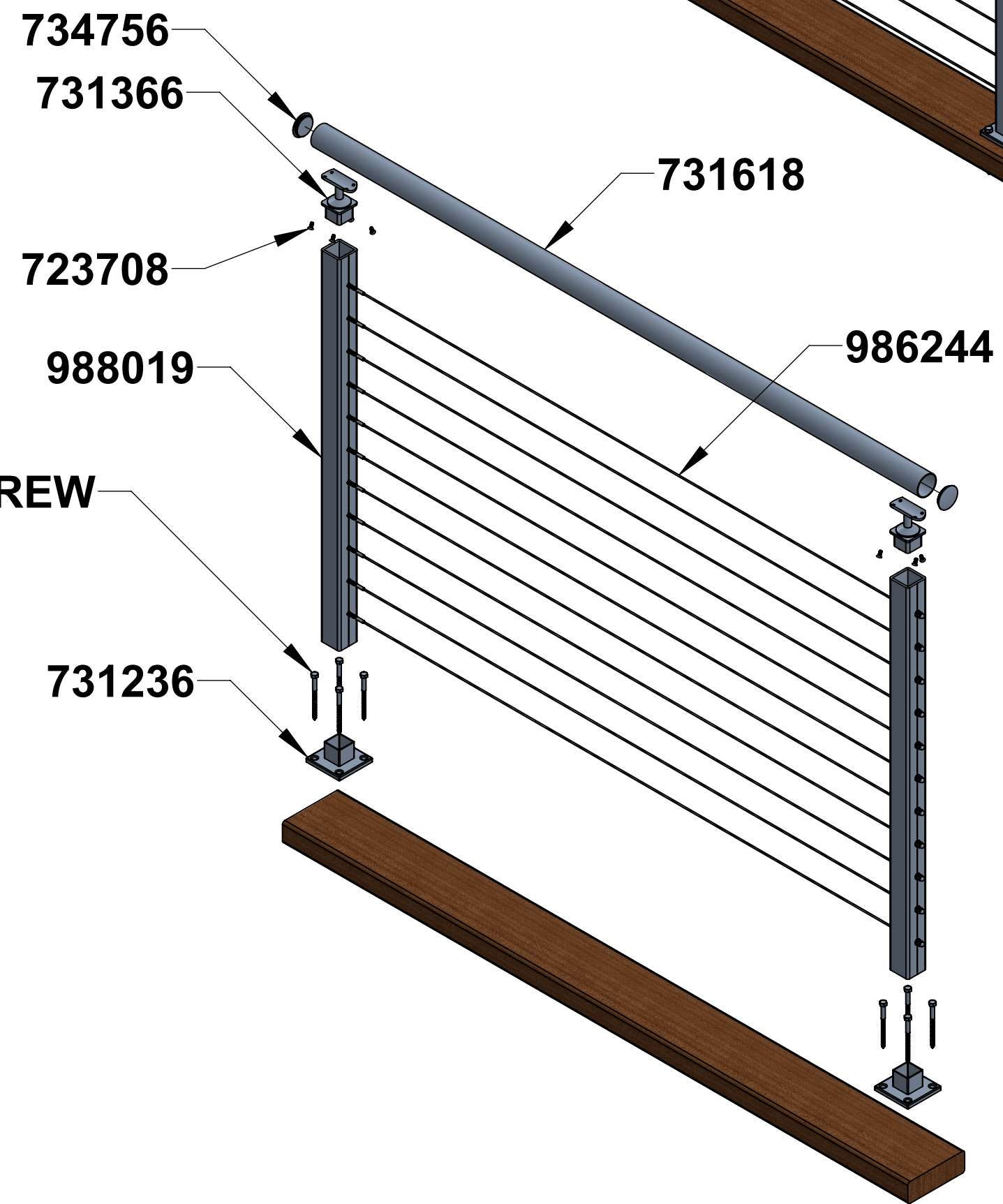
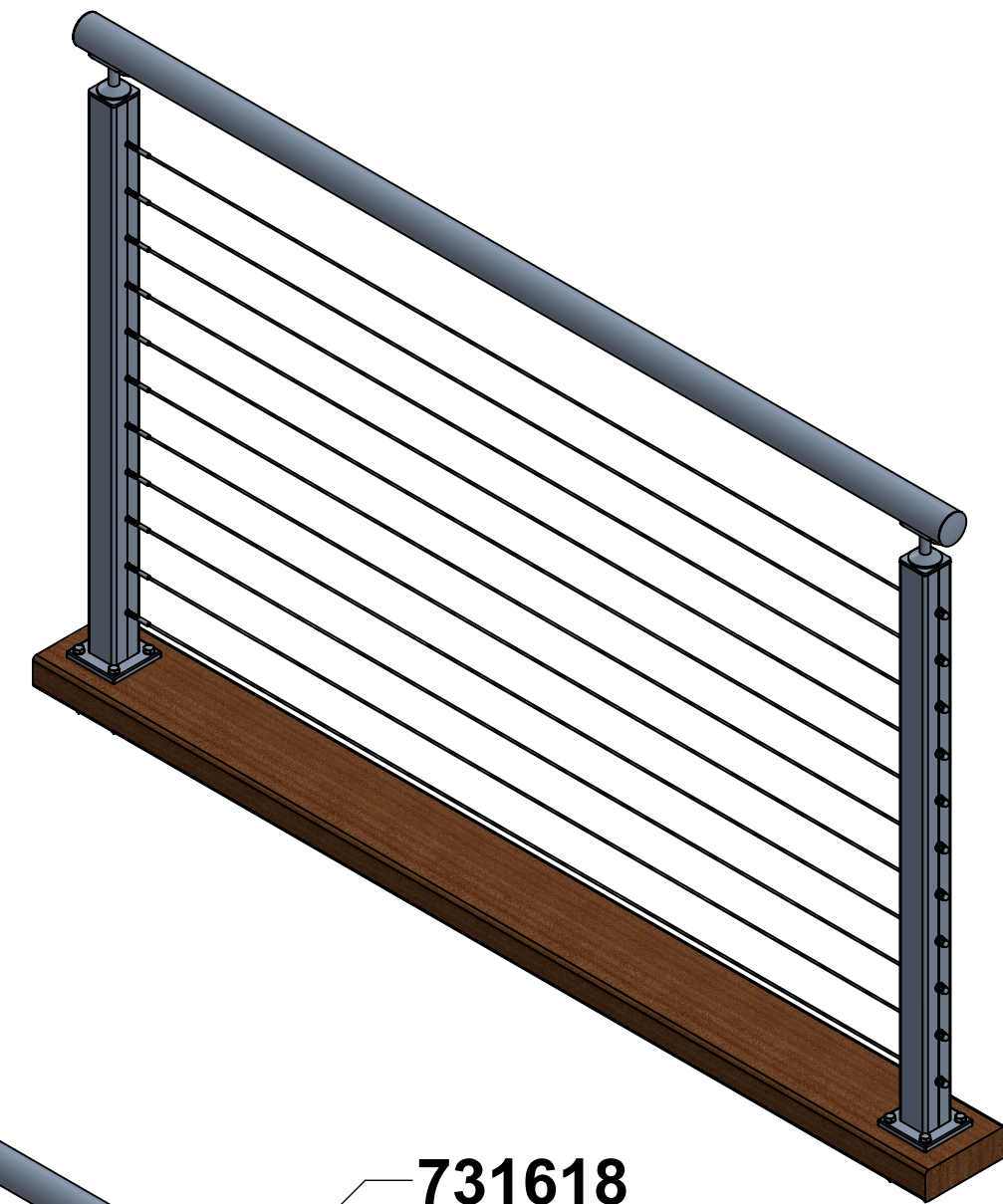
4

3

2

1

PART NUMBER	DESCRIPTION	QTY.
988019	SQUARE STAINLESS STEEL DECK MOUNT 36" DRILLED TERMINAL POST	2
731236	SQUARE LONG NECK FLOOR FLANGE FOR STAINLESS STEEL DECK RAIL SYSTEMS-TERMINAL	2
731366	STAINLESS SQUARE FIXED RADIUS TERMINAL POST CAP	2
731618	2" ROUND TOP RAIL FOR 2" ROUND SS RAILING SYSTEM	1
734756	END CAP FOR ROUND TERMINAL POSTS	2
986244	FACTORY SWAGED ASSEMBLIES	11
723708	12-24 X 1/2" FLAT HEAD SCREW	8
5/16 x 4LG LAG SCREW	5/16 x 4LG LAG SCREW	8



NOTES: UNLESS OTHERWISE SPECIFIED

- DUAL DIMENSIONS SHOWN - INCHES (MM).
- MACHINED SURFACES TO BE 63µIN MAX.
- PART TO BE FREE OF BURRS AND SHARP EDGES.
- ALL MATERIAL TO BE CLEAN, DEGREASED AND FREE OF ALL IMPURITIES.
- ANY CHANGE MUST BE AUTHORIZED BY AN SC&R ENGINEER.

DIMENSIONS ARE IN INCHES
 FRACTIONAL ±
 ANGULAR: MACH ±
 TWO PLACE DECIMAL ±
 THREE PLACE DECIMAL ±

MATERIAL
 FINISH

DRAWN	NAME	DATE
ENG APPR.	SCR	05/09/23
MFG APPR.		
COMMENTS:		

TITLE: FULL SSQ ASSEMBLY (INLINE)		
SIZE C	DWG. NO. FSSQ	REV 01
SCALE: 1:10	WEIGHT:	SHEET 1 OF 1

4

3

2

1